

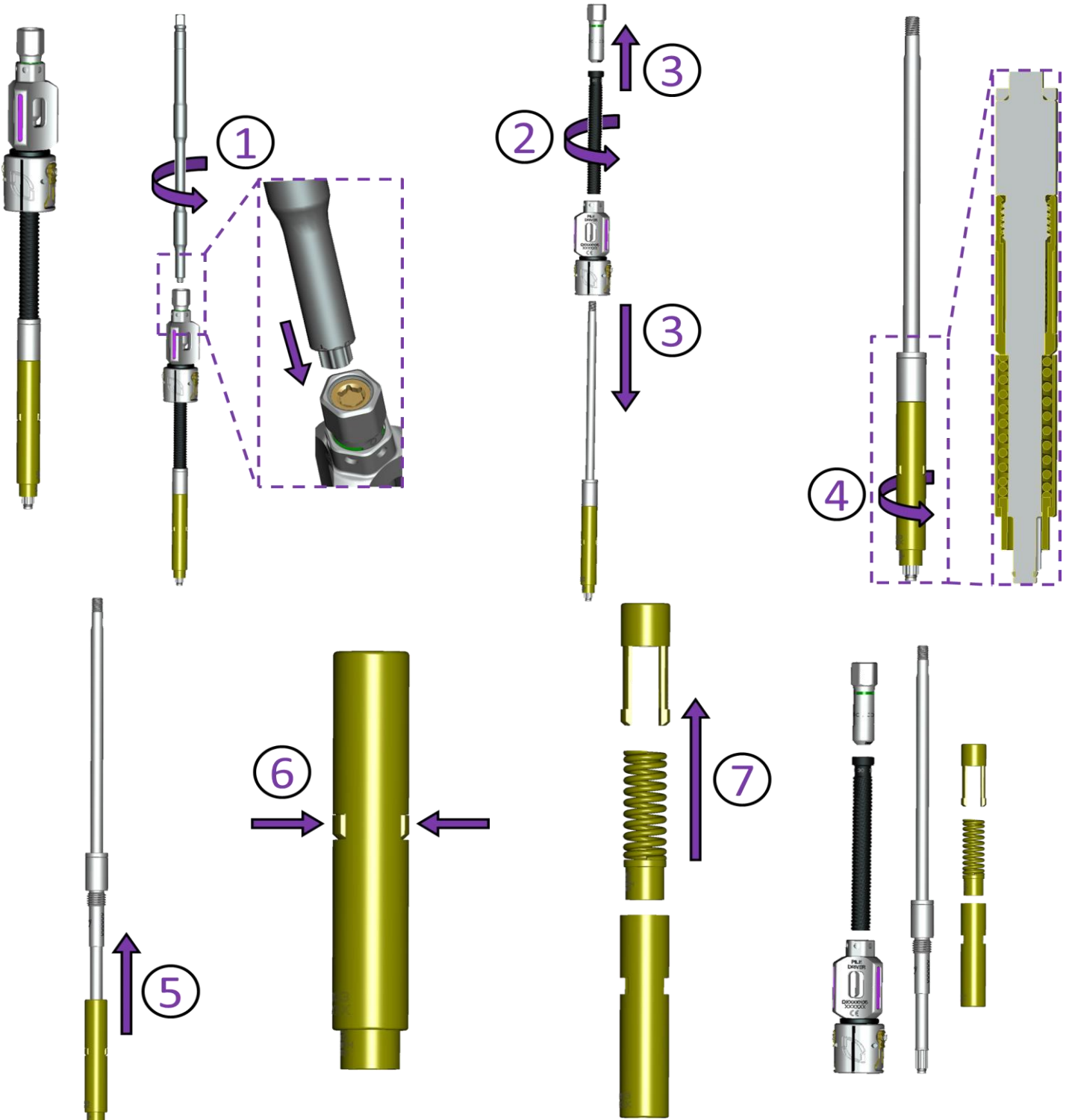


**GSB Pile Driver – Dismantlable**  
**SUPPLEMENTAL INSTRUCTIONS**

(ZUSATZANWEISUNGEN/ INSTRUCTIONS COMPLÉMENTAIRES/ ΣΥΜΠΛΗΡΩΜΑΤΙΚΕΣ ΟΔΗΓΙΕΣ/ INSTRUCCIONES COMPLEMENTARIAS/ ISTRUZIONI SUPPLEMENTARI/  
INSTRUÇÕES ADICIONAIS/ TAMAMLAYICI TALIMATLAR/ AANVULLENDE INSTRUCTIES/ INSTRUKCJE DODATKOWE)

**DISASSEMBLE:**

(DEMONTAGE/ DÉMONTAGE/ ΑΠΟΣΥΝΑΡΜΟΛΟΓΗΣΗ/ DESARMADO/ SMONTAGGIO/ DESMONTAGEM/ SÖKME/ DEMONTEREN/DEMONTAŽ)



**ASSEMBLE/REASSEMBLE:**

(ZUSAMMENBAU/ERNEUTER ZUSAMMENBAU, MONTAGE/REMONTAGE, ΣΥΝΑΡΜΟΛΟΓΗΣΗ/ΕΠΑΝΑΣΥΝΑΡΜΟΛΟΓΗΣΗ, ARMADO/REARMADO, MONTAGGIO/RIMONTAGGIO, MONTAGEM/NOVA MONTAGEM, BIRLEŞTİRME/YENİDEN BIRLEŞTİRME, MONTEREN/HERMONTEREN, MONTAŻ/PONOWNY MONTAŻ)

